

Kempower Movable Charger

The all-in-one charging solution

The Kempower Movable Charger is a stand-alone, mobile solution for fast charging of all types of electric vehicles. The Movable Charger can be used anywhere, e.g. at events, bus & truck depots, logistic centers, car service shops, and other locations where fast DC charging is needed.

The charger can have one or two charging outputs with CCS2 and CHAdeMO as the standard options. The only requirement for commissioning the plug-and-play charger is a 63 A or 32 A mains socket. The available charging power is automatically distributed between one or two charging outputs.

The 500 V charger is designed for electric vehicles with a lower battery voltage, and the 800 V charger is for electric vehicles with a higher battery voltage.



Power range

20-40 kW

Number of charging outputs

1-2



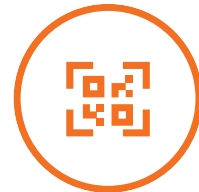
1. 7" touch screen display
2. RFID reader (ISO14443A)
3. Charging plugs and holders
4. Charging status indication LEDs
5. Removable wheels
6. Mounting pad



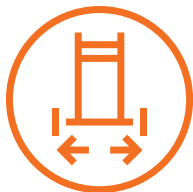
Movable charger for easy use where ever needed



Plug & play, easy comissioning & use



On-screen QR code to follow the charging status on the user's mobile phone



Removable wheels for fixed installation



Stand-alone charging system



Advanced charging control and customization options with Kempower ChargeEye solution

Product code interpretation examples:

T500P40CD5BS

T500P40CD7BSC0

T500 / T800	Kempower Movable Charger 500 V / 800 V
-------------	--

P40	Charging power (P40 = 40 kW)
-----	------------------------------

CD	Charging method
----	-----------------

5B, 7B	Charging cable 5 = 5 m, 7 = 7 m B = nominal charging cable current
--------	---

S	User interface (S = standard interface)
---	---

C0	Unbranded, no stickers
----	------------------------

Nominal charging cable current

A	80 A (CCS2)
---	-------------

B	125 A (CHAdeMO), 150 A (CCS2)
---	-------------------------------

Charging method

C	CCS2
---	------

CC	2 x CCS2
----	----------

CD	CCS2 & CHAdeMO
----	----------------

D	CHAdeMO
---	---------

General electric specification

Grid connection (AC)	3P+N+PE, 63 A / 32 A
Grid supply connection plug	IEC 60309
Supply cable length	5 m
Input voltage range	380...480 VAC +6%/-10%
Input frequency	50...60 Hz
Nominal Input power	47 kVA
Power factor (at full load)	0.92
Efficiency (at full load)	94%
Idle power	20 VA
Over voltage class	III
Rated conditional short-circuit current	25 kA
Network type	TN-S, TN-C, TN-C-S, TT

Environmental specifications

Operating temperature	-30...+50°C
Current derating	-1.5% of max. charging current per 1°C (above +40°C)
Maximum altitude	2000 m (without altitude derating)
Altitude derating	-1.4% of max. charging current per 100 m (above 2000 m)
Storage temperature	-40...+60°C
Enclosure	IP54, IK10
Operational noise level	< 60 dB (at 1 m distance)
Ambient air humidity	< 95% relative humidity

Connections & Protocols

WiFi	802.11 b/g/n (2.4/5 GHz)
Cellular / GPS	LTE-FDD, LTE-TDD, WCDMA, GSM
Ethernet	RJ45, IEEE 802.3 / 802.3u
OCPP	1.6j / 2.0.1
Connectivity	Kempower ChargEye solution
CHAdEMO	0.9 / 1.0 / 2.0
CCS2	DIN70121:2012, ISO15118:2013, ISO15118:2010

Electrical protections

Over/under voltage

Surge

Short circuit

Overload

Earth leakage current

Device over temperature

Charging cable over temperature

DC charging output

T500 (500 v)

T800 (800 v)

DC charging plug types	CCS2, CHAdEMO	CCS2, CHAdEMO
DC cable length	5 m or 7 m	5 m or 7 m
Nominal output power at 400 VAC	40 kW (with 2 outputs: dynamic 40 kW/1st or 20 kW for both) at 400 VDC	40 kW (with 2 outputs: dynamic 40 kW/1st or 20kW for both) at 800 VDC
Nominal output current	2 x 63 A, 1 x 125 A	2 x 37 A, 1 x 75 A
Output voltage range	150...500 VDC	200...920 VDC

Product code	Charging outputs	Charging method	Simult.charging with 2 outputs	Nominal charging cable current
T...C5AS	1	CCS2	no	80 A
T...C5BS	1	CCS2	no	150 A
T...CC5AS	2	2 x CCS2	yes	2 x 80 A
T...CC5BS	2	2 x CCS2	yes	2 x 150 A
T...CD5ABS	2	CCS2 & CHAdeMO	yes	80 A & 125 A
T...CD5BS	2	CCS2 & CHAdeMO	yes	150 A & 125 A

Note: versions with 7 m charging cables, change 5 to 7 in the end of the product code, e.g. T500P40CD7BS

Mechanical dimensions (WxHxD), footprint

Ca. 638 x 1216 x 670 mm

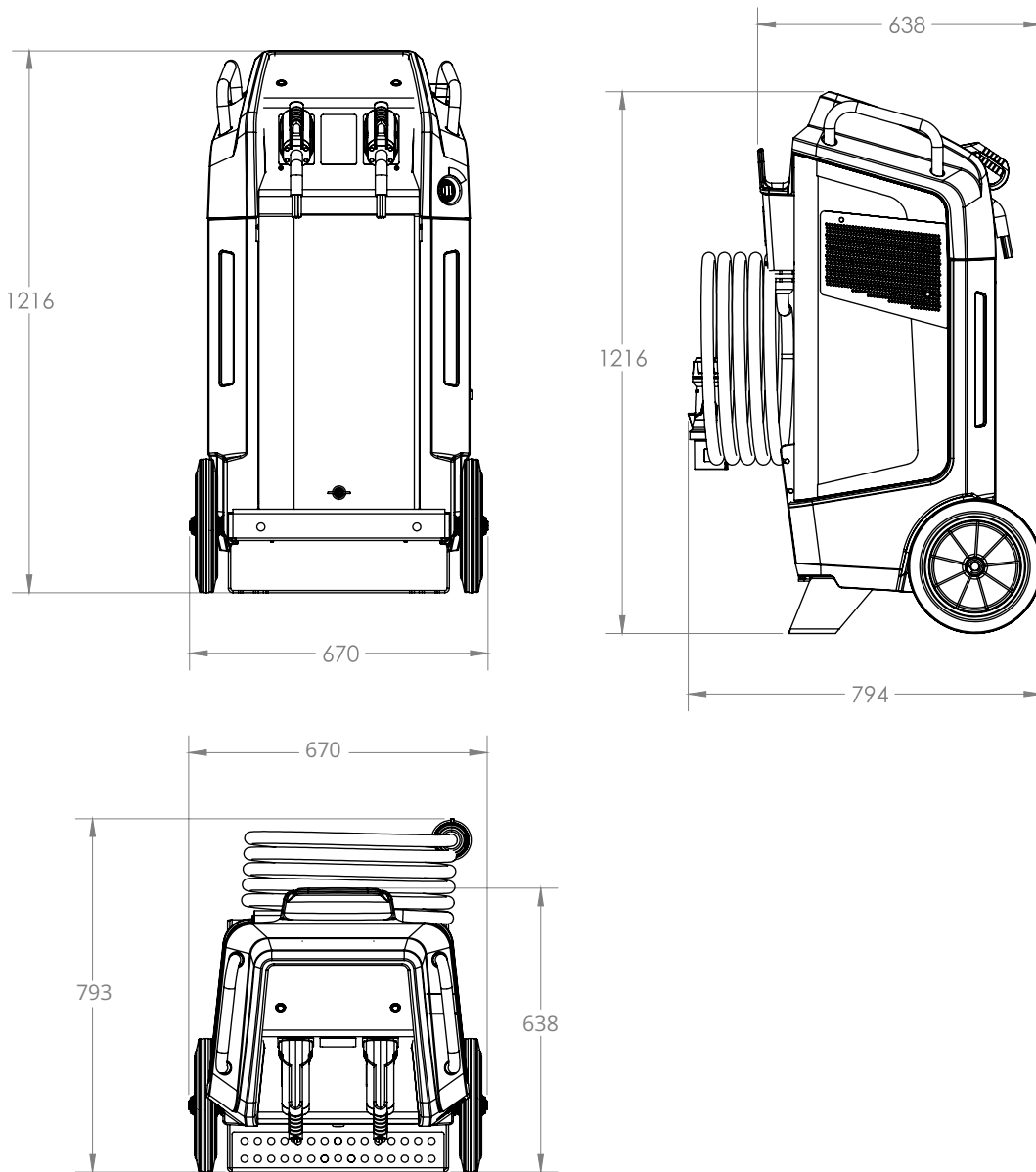
Weight

Ca. 140-150 kg (1 charging cable), 160-180 kg (2 charging cables)

Compliance to standards

Electrical safety IEC 61851-1, IEC 61851-23

EMC, Harmonics IEC 61851-21-2



Options

CCSI charging cables Available upon request

Customized branding Customer branding options (colors, stickers)*

*Please consult Kempower for availability, pricing and MOQ

